

# ARIES®-SLX Remote Display/Control Module Model RDCM

## FEATURES

- Duplicates control unit's user interface functional keys, LEDs and display
- 80-Character LCD Display
- Up to 15 RDCMs per control unit
- 15 RDCMs and up to 16 remote LED or relay driver modules per control unit
- Can be installed up to 4,000 feet from control unit
- UL Listed and FM Approved

## DESCRIPTION

The Model RDCM Remote Display/Control Module (P/N 76-600000-005) provides an additional point of event reporting and operator intervention/control for ARIES®-SLX and legacy ARIES® control units. It features an 80-character LCD display that duplicates all the information on the control unit display.

The RDCM contains the following functional keys:

- Event Acknowledgment
- Alarm Silence
- System Reset
- Display Scroll

There are twelve digit/navigation keys that enable full menu functionality.

The six system-level LEDs correspond to the following general conditions:

- Module Power
- Alarm
- Pre-Alarm
- Alarm Silence
- Supervisory
- Trouble

The Model RDCM communicates with the control unit via an external RS-485 communications circuit, with the most-remote module capable of being located up to 4,000 feet from the control unit. Up to 15 RDCMs and 16 ATM-L Annunciator LED Driver Modules (P/N 76-200004-032) or ATM-R Relay Driver Board Modules (P/N 76-200005-032) can be connected in a bus configuration to the RS-485 communications circuit.

The Model RDCM can be powered from the control unit's power supply, or from an external, regulated, and power-limited power supply agency Listed for use for fire-protective-signaling.



## INSTALLATION

The Model RDCM is supplied in an enclosure that is suitable for surface or semi-flush mounting.

Refer to Figure 1 for module-mounting dimensions.

## ELECTRICAL

<b>Network Wiring:</b>	CLASS B, Supervised and Power-Limited
<b>Wire Type:</b>	Twisted, Shielded, Low-Capacitance Fire-Alarm Wire (Recommended)
<b>Wire Size:</b>	#18 AWG (minimum)
<b>Maximum Network Wiring Distance:</b>	4,000 feet (1219 meters)
<b>Communications:</b>	Per RS-485 Standard
<b>Operating Voltage:</b>	24 Vdc (nominal)
<b>Standby Current:</b>	0.064 A
<b>Alarm Current:</b>	0.085 A
<b>Maximum RDCM: (per control unit)</b>	15

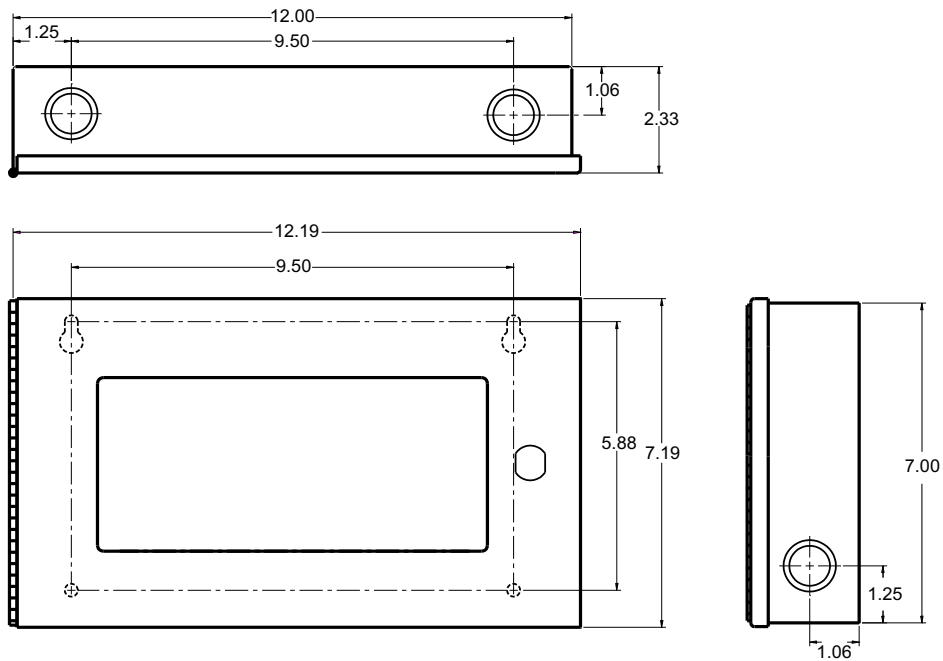


Figure 1. RDCM Mounting Dimensions (Inches)

## MECHANICAL

**Dimensions:** 12.19 in. W x 7.19 in. H x 2.33 in. D  
(309.63 mm W x 182.63 mm H x 59.18 mm D)

**Weight:** 4.8 lb. (2.2 kg)

## ENVIRONMENTAL

**Operating Temperature:** 32°F to 120°F (0°C to 49°C)

**Relative Humidity:** 85% at 90°F (32°C) (non-condensing)

## ORDERING INFORMATION

Part Number	Description
76-600000-005	ARIES-SLX RDCM in Red Enclosure. For use with ARIES-SLX and legacy ARIES control units
76-600000-010	Red Trim Ring
76-200004-032*	ATM-L Annunciator Driver Module, 32 independently programmable LED drivers
76-200005-032*	ATM-R Relay Driver Module, 32 independently programmable relay drivers
*See datasheet part number K-76-236 Rev AC for details.	

### EXPORT INFORMATION (USA)

Jurisdiction: EAR  
Classification: EAR99

This document contains technical data subject to the EAR.

ARIES is a registered trademark of Kidde-Fenwal, Inc., or its parents, subsidiaries or affiliates.

This literature is provided for informational purposes only. KIDDE-FENWAL, INC. believes this data to be accurate, but it is published and presented without any guarantee or warranty whatsoever. KIDDE-FENWAL, INC. assumes no responsibility for the product's suitability for a particular application. The fire suppression system design, installation, maintenance, service and troubleshooting must be performed by trained, authorized Kidde Fire Systems distributors for the product to work correctly. If you need more information on this product, or if you have a particular problem or question, contact: KIDDE-FENWAL, INC., Ashland, MA 01721 USA, Telephone: (508) 881-2000.